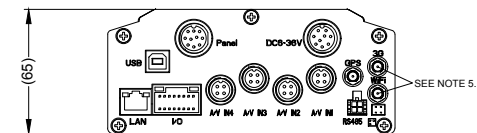
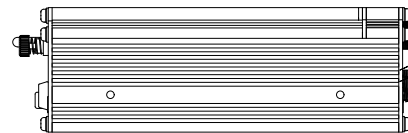
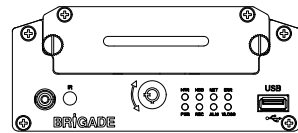
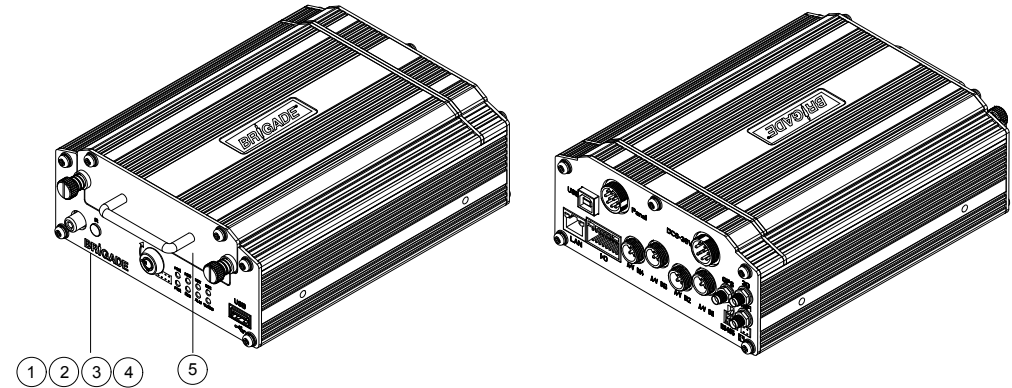
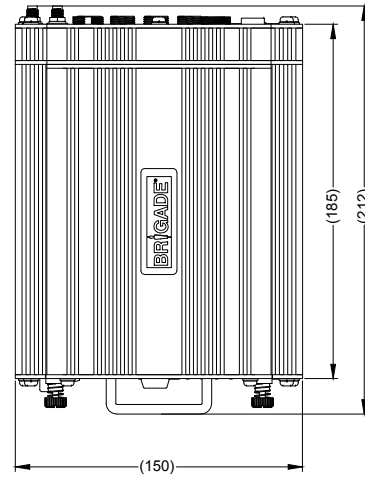


Revision Notes.				
R1 - NAME UPDATED TO MDR-404XX-500-CU TO ALLOW FOR 3G AND WIFI MODELS.				
APA: E.PANG	Drawn:L.PILLAY	Checked:R.BATES	Approved:B.JOHN	Date: 17/11/2015



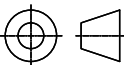
ITEM	PART NUMBER	QTY	MODEL NUMBER	DESCRIPTION
(A)	4886	1	MDR-404-500-CU	MOBILE DIGITAL RECORDER CONTROL UNIT WITH GPS & 32GB SD CARD
(B)	5019	1	MDR-404GW-500-CU	MOBILE DIGITAL RECORDER CONTROL UNIT WITH GPS, 3G, Wi-Fi & 32GB SD CARD
(C)	5020	1	MDR-404G-500-CU	MOBILE DIGITAL RECORDER CONTROL UNIT WITH GPS, 3G & 32GB SD CARD
(D)	5021	1	MDR-404W-500-CU	MOBILE DIGITAL RECORDER CONTROL UNIT WITH GPS, Wi-Fi & 32GB SD CARD

ITEM	1	2	3	4	5
DESCRIPTION	MAIN RECORDER UNIT GPS AND 32GB SD CARD	MAIN RECORDER UNIT GPS, 3G, Wi-Fi AND 32GB SD CARD	MAIN RECORDER UNIT GPS, Wi-Fi AND 32GB SD CARD	MAIN RECORDER UNIT GPS, 3G AND 32GB SD CARD	HDD CADDY AND 500GB HDD
MODEL NUMBER	MDR-404-DS	MDR-404GW-DS	MDR-404W-DS	MDR-404G-DS	MDR-404-500-MCU
PART NUMBER	4887	5017	5016	5015	4888
MDR-404-500 QTY	1				1
MDR-404GW-500 QTY		1			1
MDR-404G-500 QTY				1	1
MDR-404W-500 QTY			1		1

- NOTES:**
- REFERENCE INSTRUCTION MANUAL FOR FUNCTIONALITY.
  - FOR PRODUCT LABEL REFER TO LATEST REVISION OF DRAWING: BE-003110-XX-15.
  - FOR SERIAL NUMBER LABEL REFER TO LATEST REVISION OF DRAWING: BE-003112-XX-15.
  - ANY CUSTOMER MODIFICATION OF THIS PRODUCT CAUSING SUBSEQUENT FAILURE IS NOT A LIABILITY OF BRIGADE ELECTRONICS GROUP PLC.
  - 3G AND WIFI CAPABILITIES DEPEND ON MODEL AND AVAILABILITY.
  - VARIOUS SYSTEM OPTIONS A, B, C OR D CONTAIN RELEVANT COMPONENTS.

**PROPRIETARY NOTICE**  
THIS DESIGN AND TECHNICAL INFORMATION APPEARING ON THIS DRAWING IS THE PROPERTY OF BRIGADE ELECTRONICS, AND IS DISCLOSED IN CONFIDENCE. IT IS NOT TO BE COPIED, REPRODUCED, REVEALED TO OR EXPROPRIATED BY OTHERS, EITHER IN WHOLE OR IN PART WITHOUT THE EXPRESS WRITTEN CONSENT OF BRIGADE ELECTRONICS.

**BRIGADE**  
www.brigade-electronics.com

Assembly Pl Approval P.YANG	Approved by B.JOHN	Checked by R.BATES	Drawn by L.PILLAY
Angle of Projection 	Units mm	Scale N/A	Released 00/00/00
	Status DRAFT	MDR-404XX-500-CU	
	Part No VARIOUS	BE-003116-01-15	